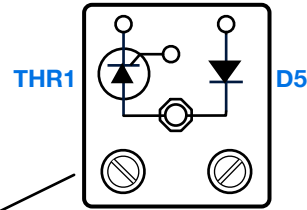
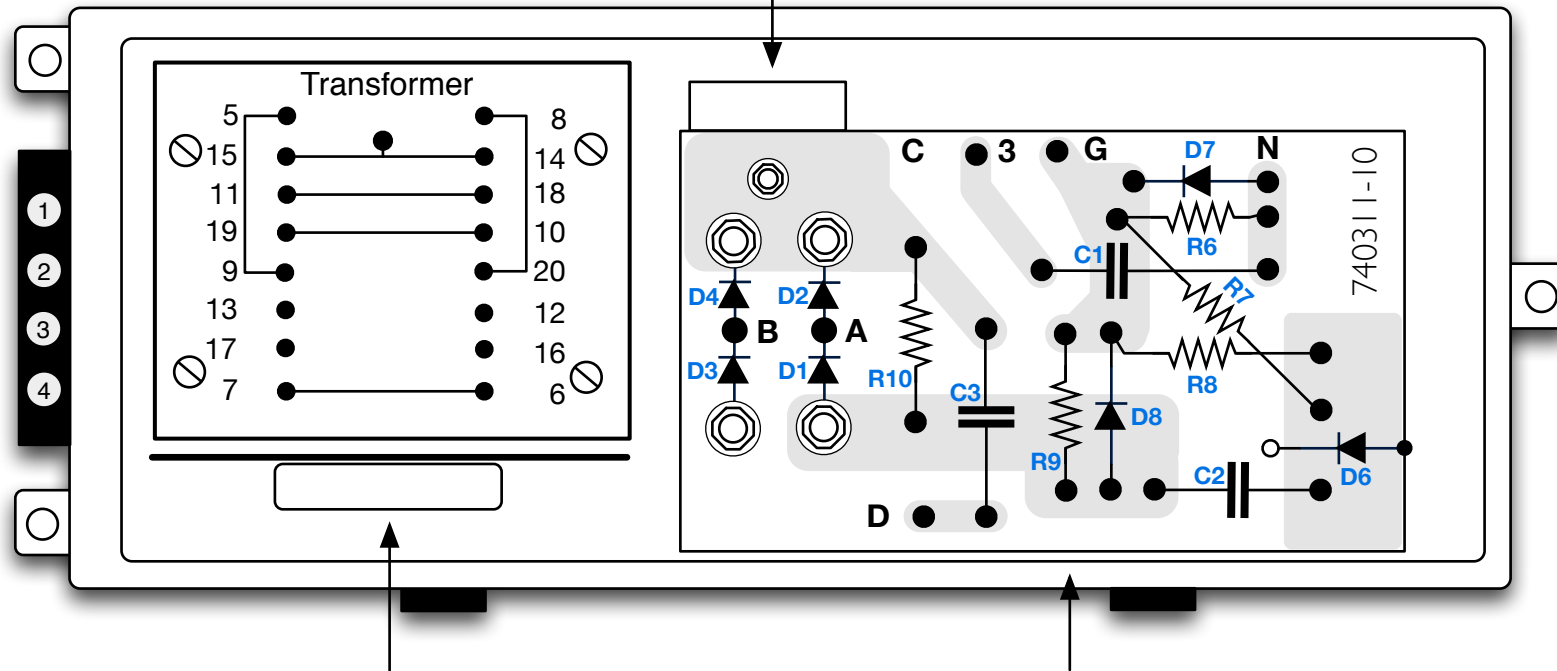


Magneti Marelli Dinoplex AEC 101 Component Location
 V 1.1 info@dinoplex.org 4/2009, www.dinoplex.org

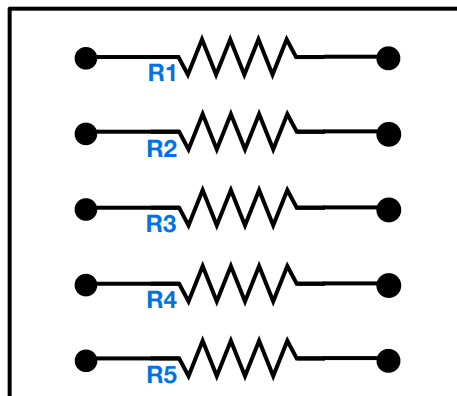


Thyristor Board

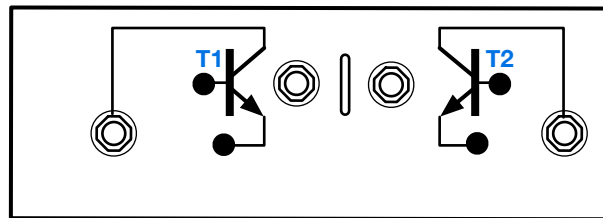


Component List

- | | |
|------|-------------------|
| T1 | 2N3773 |
| T2 | 2N3773 |
| THR1 | C137PB |
| D1 | G8 HZMR |
| D2 | G8 HZM |
| D3 | G8 HZMR |
| D4 | G7 HZM |
| D5 | G8 HZMA |
| D6 | 1N1344BR |
| D7 | P1000 |
| D8 | P200 |
| C1 | 0.47uF/Vlcc 125 |
| C2 | 150uF/63V |
| C3 | 0.047uF/Vlcc 1000 |
| C4 | 1.5uF/600V |
| R1 | 2.7Ω/5% |
| R2 | 2.7Ω/5% |
| R3 | 22Ω/5% |
| R4 | 22Ω/5% |
| R5 | 47Ω/5% |
| R6 | 680Ω/10% |
| R7 | 680Ω/10% |
| R8 | 680Ω/10% |
| R9 | 150Ω/5% |
| R10 | 470KΩ/5% |



Resistor Board



Transistor Board