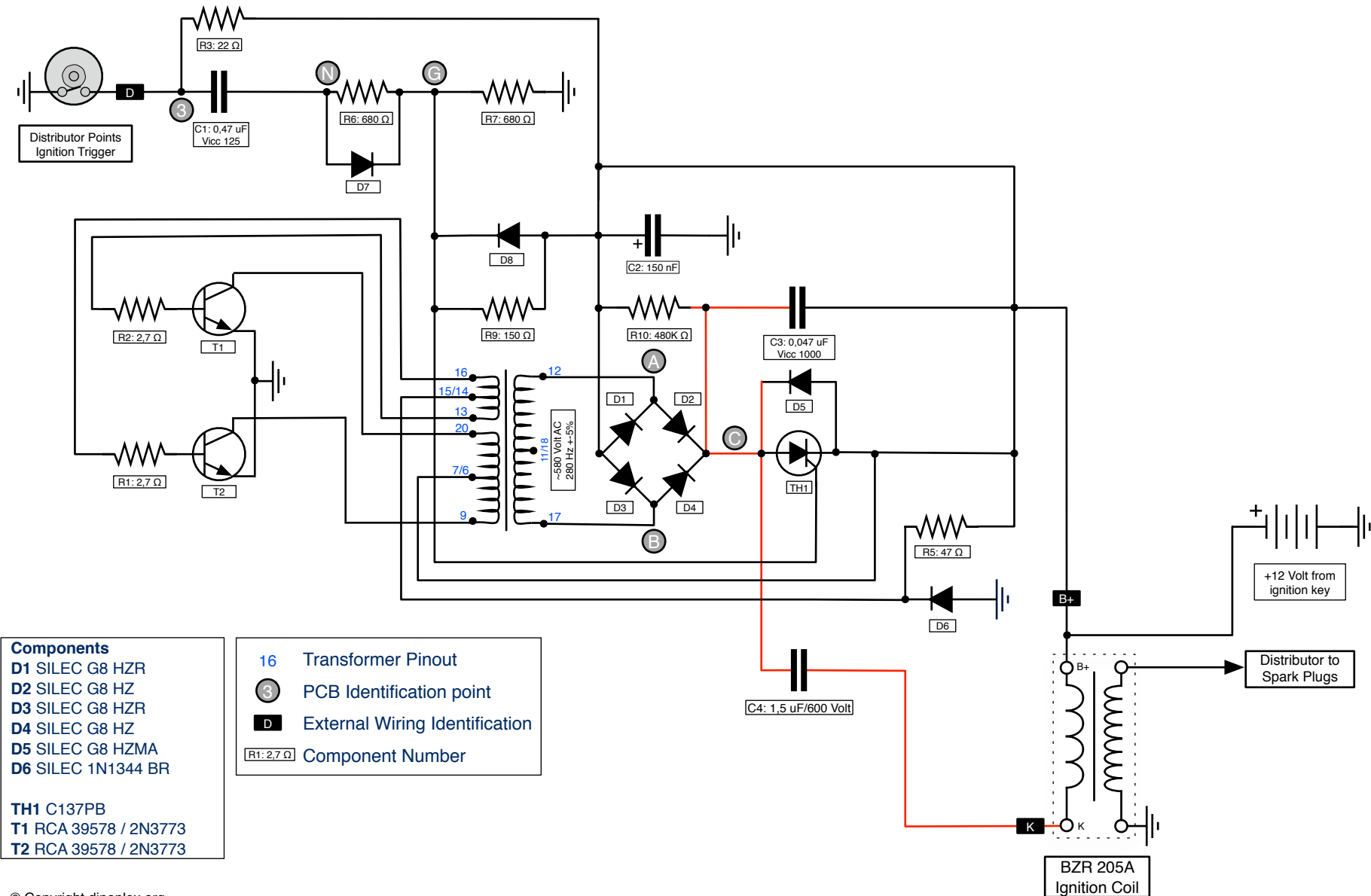


Magneti Marelli Dinoplex C AEC101 C Circuit Diagram

PCB version 740103-10

V 1.6 11/2008, info@dinoplex.org, www.dinoplex.org.



- Components**
- D1** SILEC G8 HZR
 - D2** SILEC G8 HZ
 - D3** SILEC G8 HZR
 - D4** SILEC G8 HZ
 - D5** SILEC G8 HZMA
 - D6** SILEC 1N1344 BR
 - TH1** C137PB
 - T1** RCA 39578 / 2N3773
 - T2** RCA 39578 / 2N3773

- 16** Transformer Pinout
- 3** PCB Identification point
- D** External Wiring Identification
- R1: 2.7 Ω** Component Number