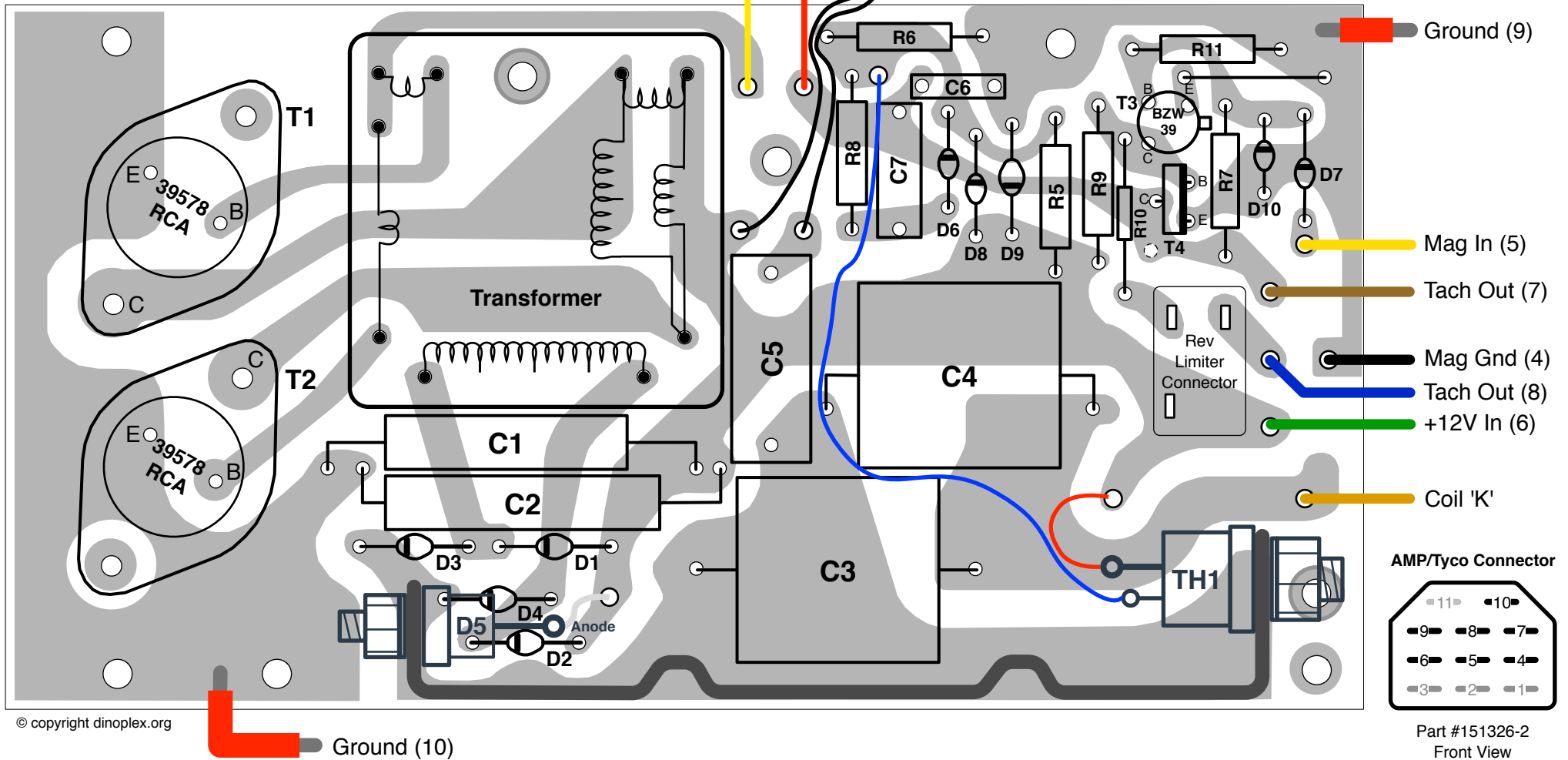


Magneti Marelli Ignition System for Racing Car (Raceplex) Components Diagram

V 1.1 12/2011 info@dinoplex.org, www.dinoplex.org

R1: 27Ω 5%	R10: 390Ω 1%	D1: 1N5627	D10: GP Zener Diode
R2: 27Ω 5%	R11: 3300Ω 1%	D2: 1N5627	T1: RCA 39578 (NPN)
R3: 3,3Ω 5%	C1: 100uF	D3: 1N5627	T2: RCA 39578 (NPN)
R4: 22Ω 5%	C2: 220uF	D4: 1N5627	T3: BSW 39 (NPN)
R5: 150Ω 5%	C3: 0,4uF 600V	D5: M5 Diode	T4: RCA (Darl.NPN)
R6: 330Ω 5%	C4: 0,4uF 600V	D6: GP Diode	TH1: 12F 800
R7: 62KΩ 1%	C5: 100nf 600V	D7: GP Diode	
R8: 200Ω 5%	C6: 33nF	D8: GP Diode	
R9: 680Ω 5%	C7: 330nF 250V	D9: 1N5627	



Ground (10)